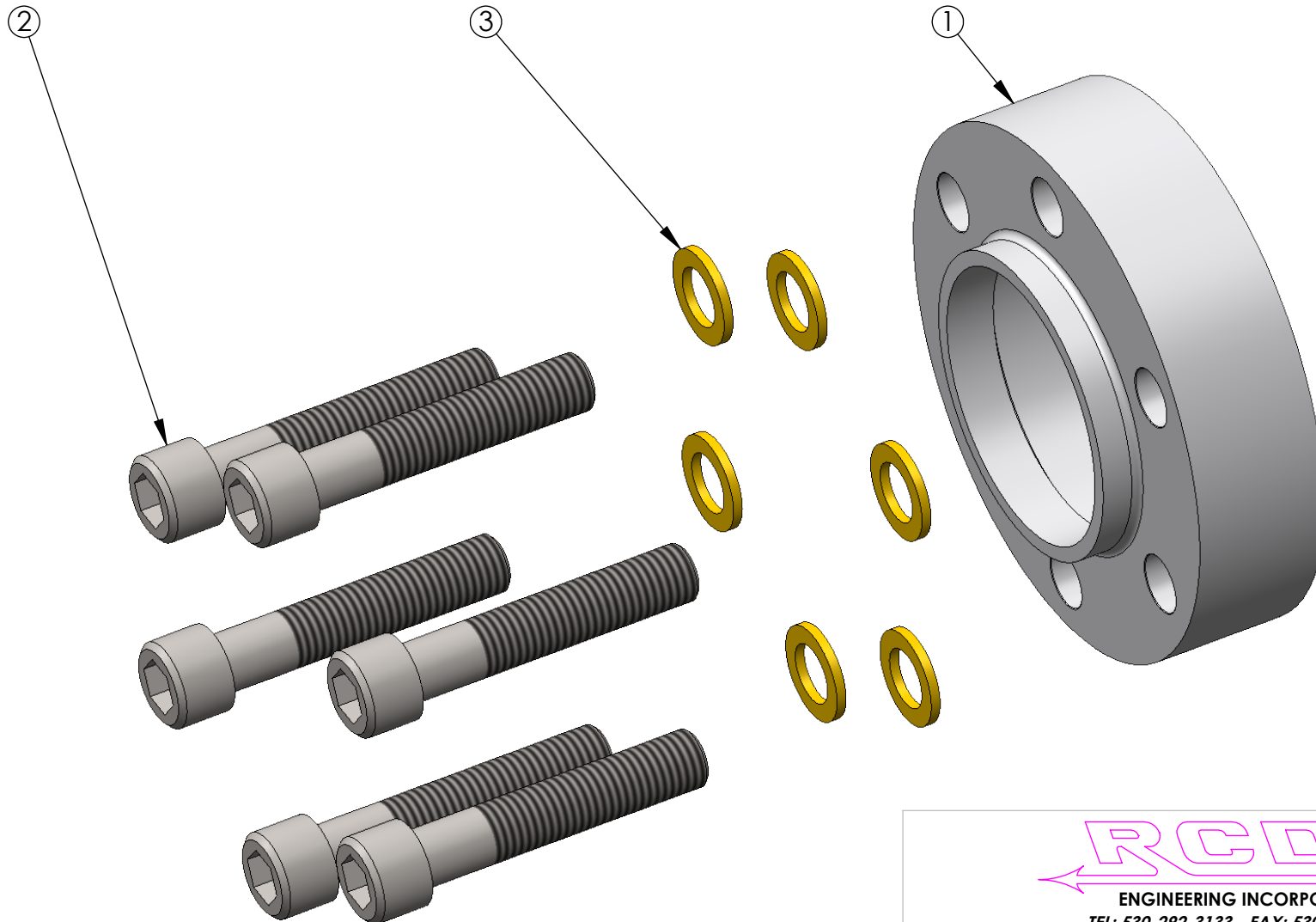


ITEM	PART NO.	DESCRIPTION	QTY.
1	151703-14	SPROCKET SPACER .875	1
2	357337-32	SHCS 3/8-24 x 2.0	6
3	352503-06	3/8 AN WASHER	6



**ENGINEERING INCORPORATED**  
 TEL: 530-292-3133 - FAX: 530-292-3738

SPROCKET SPACER .875 W-BOLTS